

# SF40-FR

Shadow Fixed 40mm Fire Rated Rainscreen System

## Standard Design Details

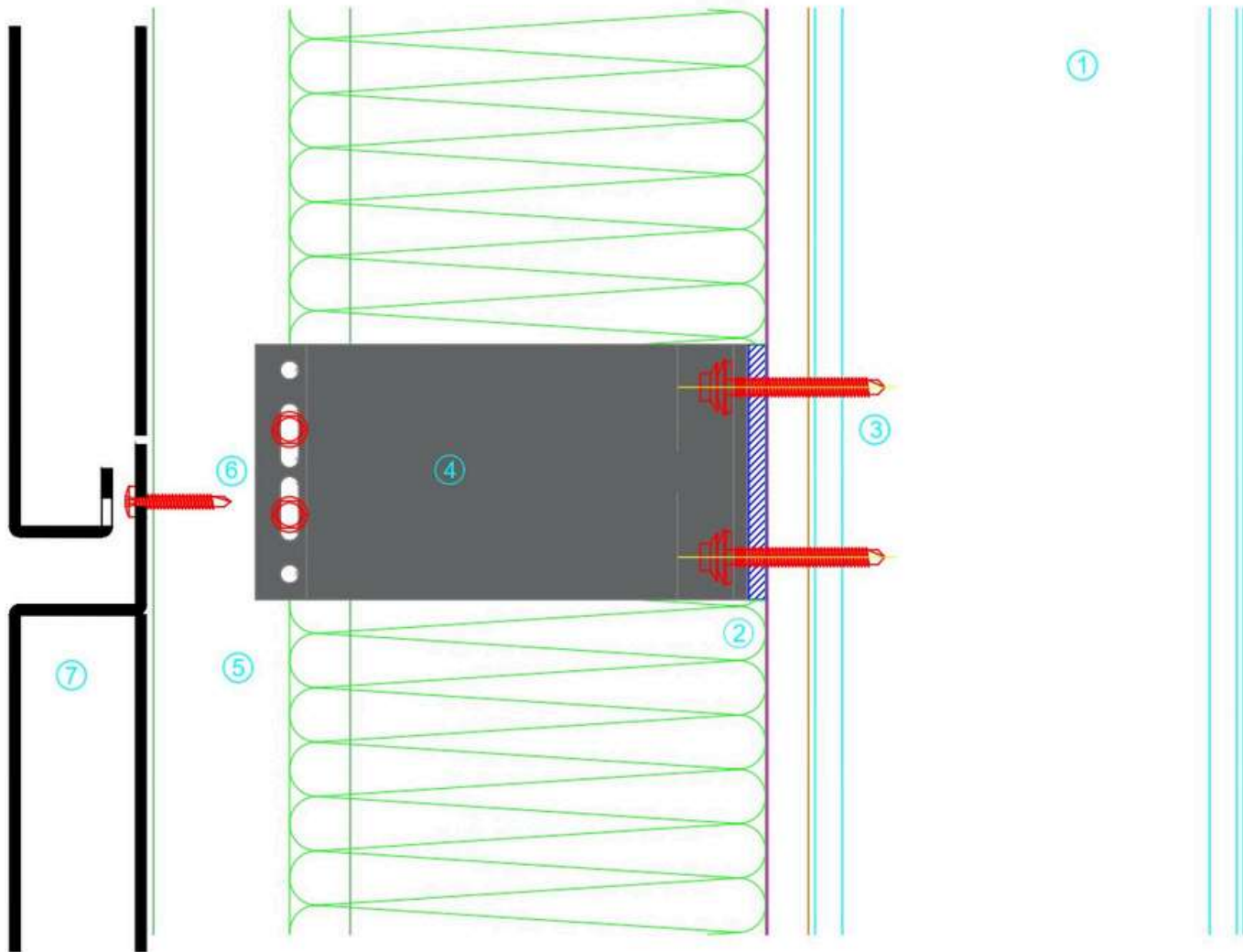
**Hamilton**

METAL FORMING LTD

**SPANWALL**   
RAINSCREEN SYSTEMS

[www.hamiltonmetalforming.com](http://www.hamiltonmetalforming.com)

DATE:	ISSUE:	CHANGE:



Item	Description
1	Metsec System
2	Insulation (By Others)
3	Wall Fixing (By Others)
4	Wall Bracket
5	Continuous Angle
6	Fixing
7	Rainscreen Panel

**SPANWALL** 

TITLE :

Horizontal Joint

DRAWING No. :  
Standard Details

DRAWN BY :  
Justin Reid

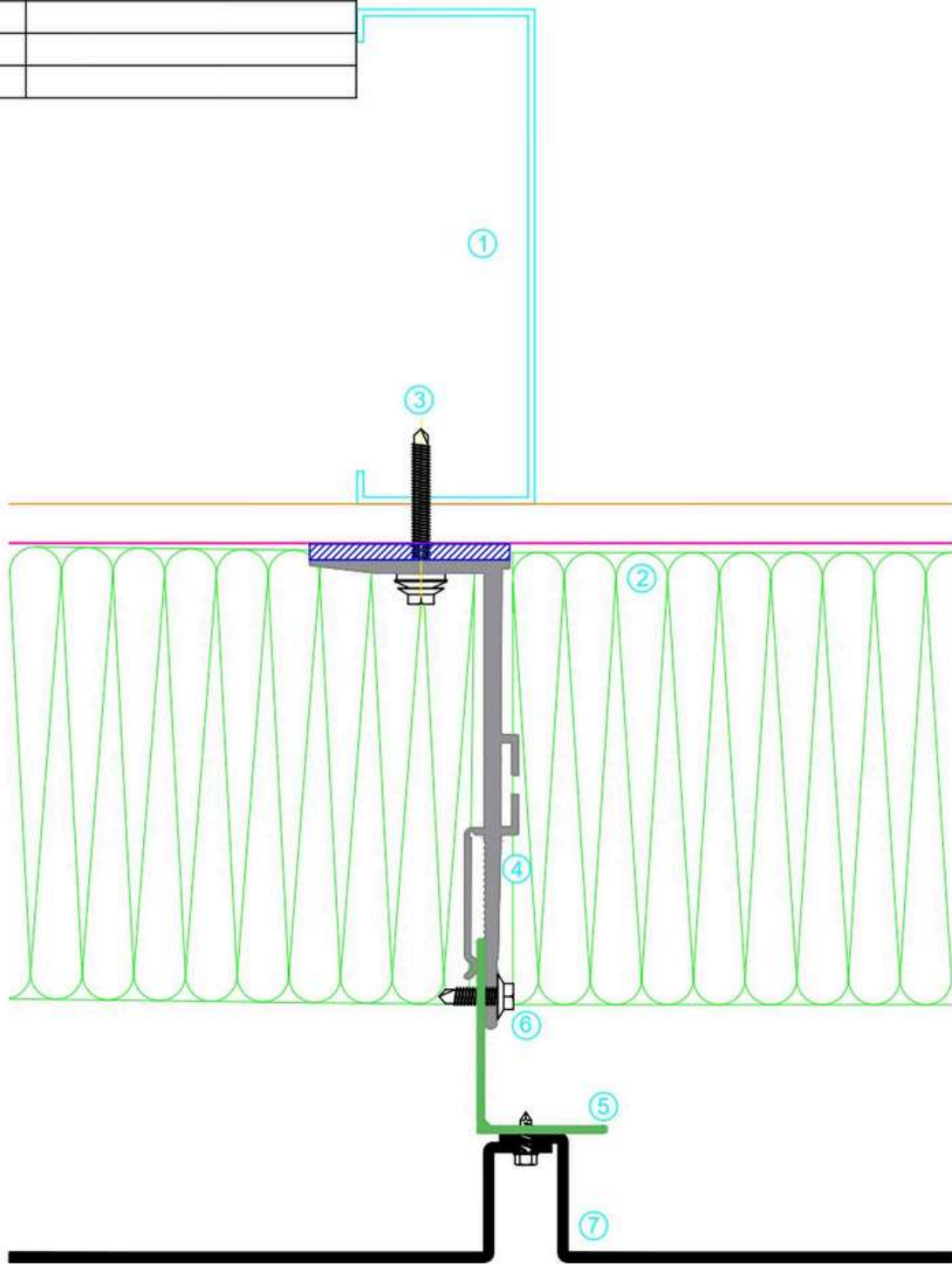
SCALE :  
1:2

PART No. :  
SF40 FR-000

DATE :  
25/01/21

APPROVED BY :  
AFR

DATE:	ISSUE:	CHANGE:



Item	Description
1	Metsec System
2	Insulation (By Others)
3	Wall Fixing (By Others)
4	Wall Bracket
5	Continuous Angle
6	Fixing
7	Rainscreen Panel

**SPANWALL** 

TITLE :

Vertical Joint

DRAWING No. :  
Standard Details

DRAWN BY :  
Justin Reid

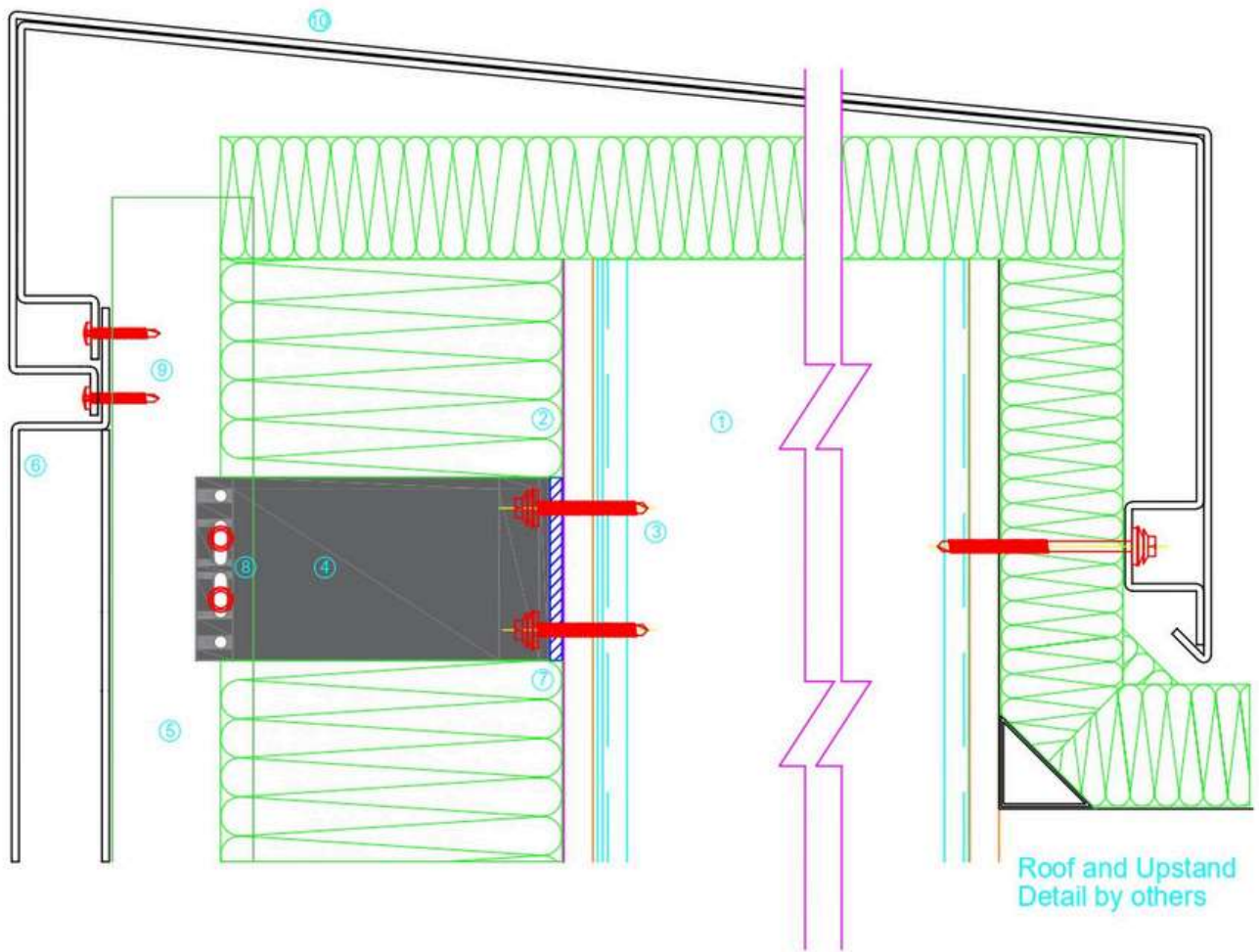
SCALE :  
1:2

PART No. :  
SF40 FR-001

DATE :  
21/10/2020

APPROVED BY :  
AFR

DATE:	ISSUE:	CHANGE:

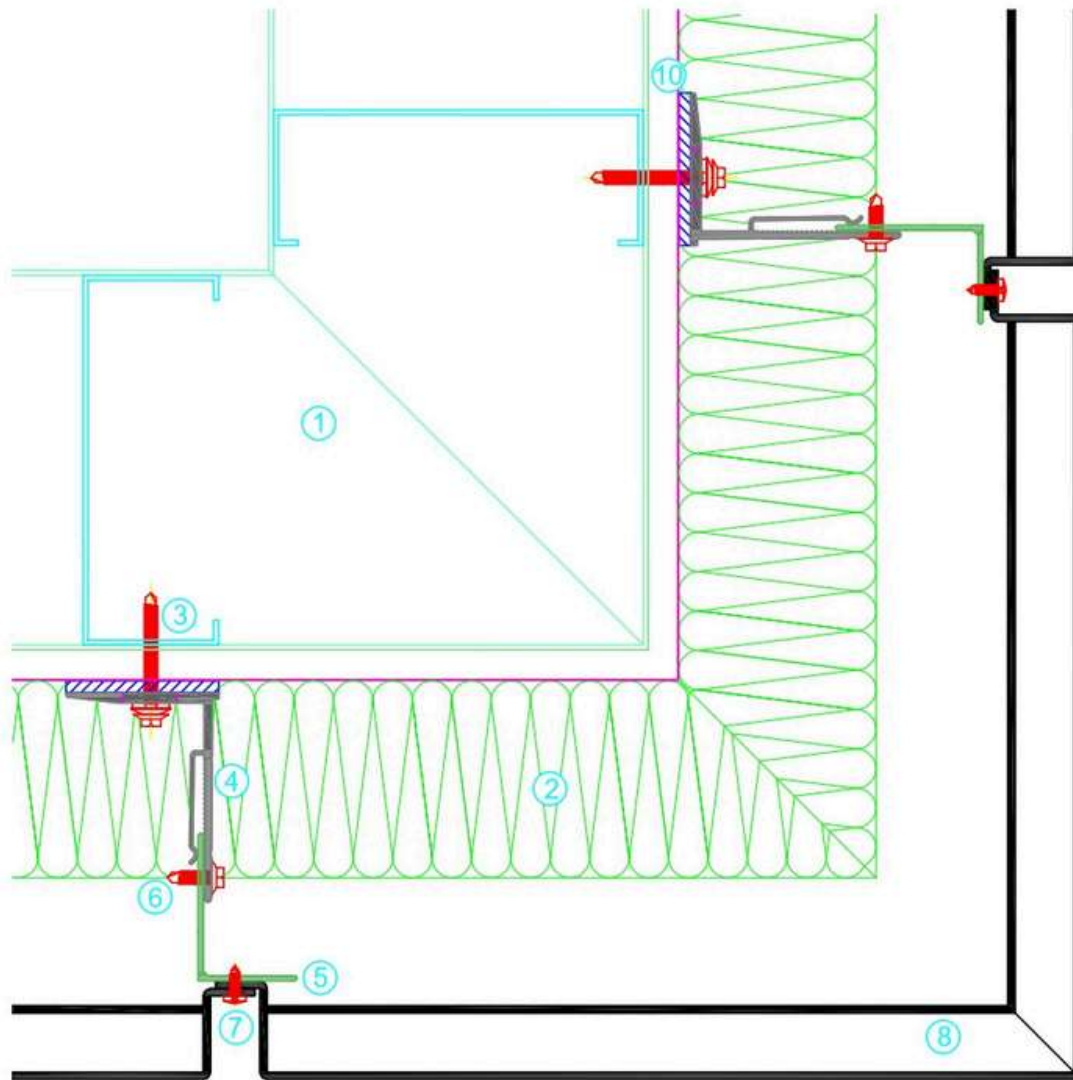


Item	Description
1	Metsec System
2	Insulation (by others)
3	Wall Fixing (by others)
4	Wall Bracket
5	Continuous Angle
6	Rainscreen Panel
7	Thermal Isolator
8	Angle Fixing
9	Panel Fixing
10	Coping Panel



TITLE :		Coping Detail	
DRAWING No. :	DRAWN BY :	SCALE :	
Standard Details	Andrew Creane	1:3	
PART No. :	DATE :	APPROVED BY :	
SF40-FR-002	21/11/2022	J.Reid	

DATE:	ISSUE:	CHANGE:



Item	Description
1	Support Wall (by others)
2	Insulation (by others)
3	Wall Fixing (by others)
4	Wall Bracket
5	Continuous Angle
6	Angle Fixing
7	Rainscreen Corner Panel
8	Panel Fixing
9	Thermal Isolator

**SPANWALL**

TITLE :

External Corner Detail

DRAWING No. :  
Standard Details

DRAWN BY :  
Andrew Creane

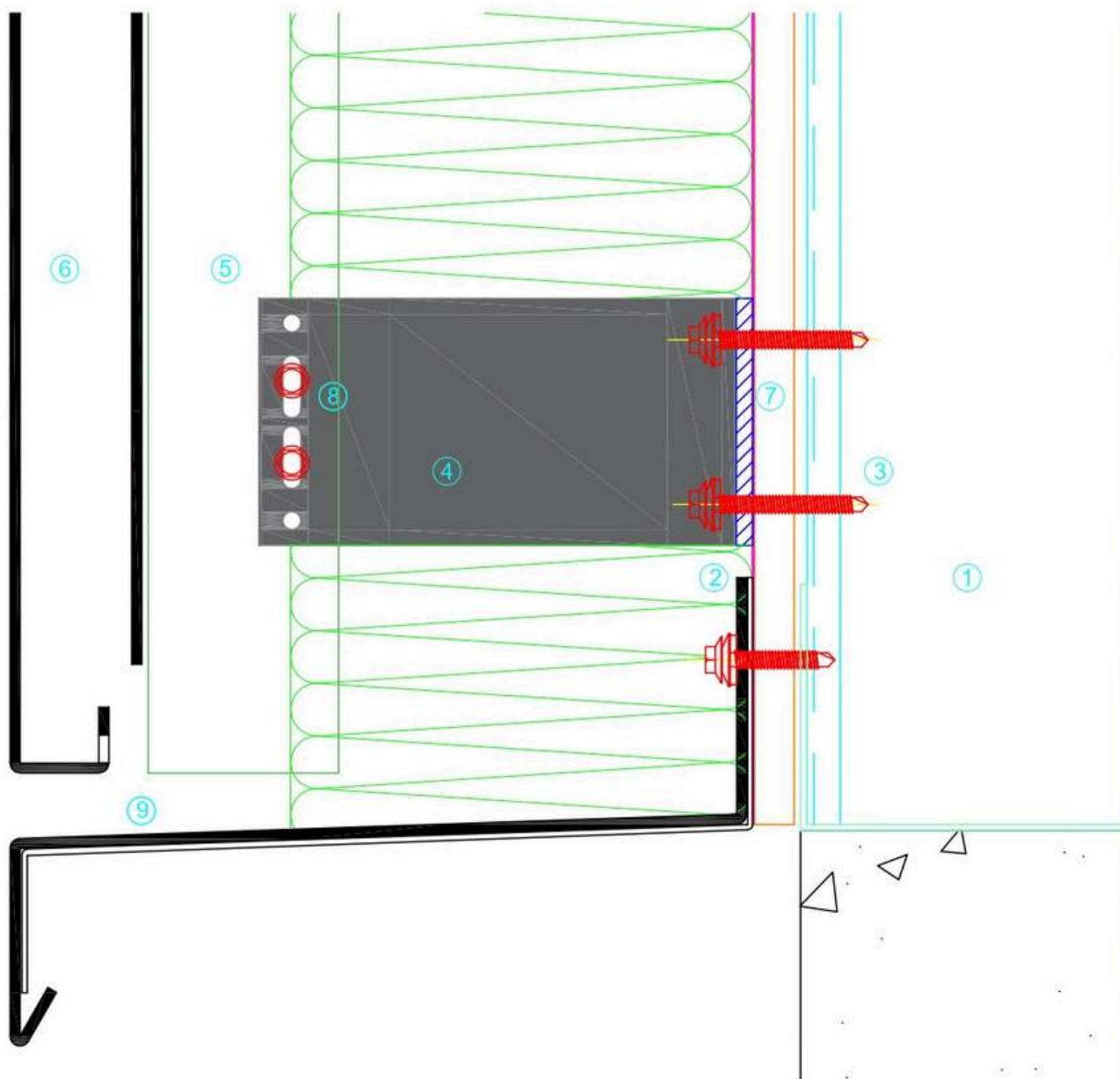
SCALE :  
1:3

PART No. :  
SF40-FR-003

DATE :  
21/11/2022

APPROVED BY :  
J. Reid

DATE:	ISSUE:	CHANGE:

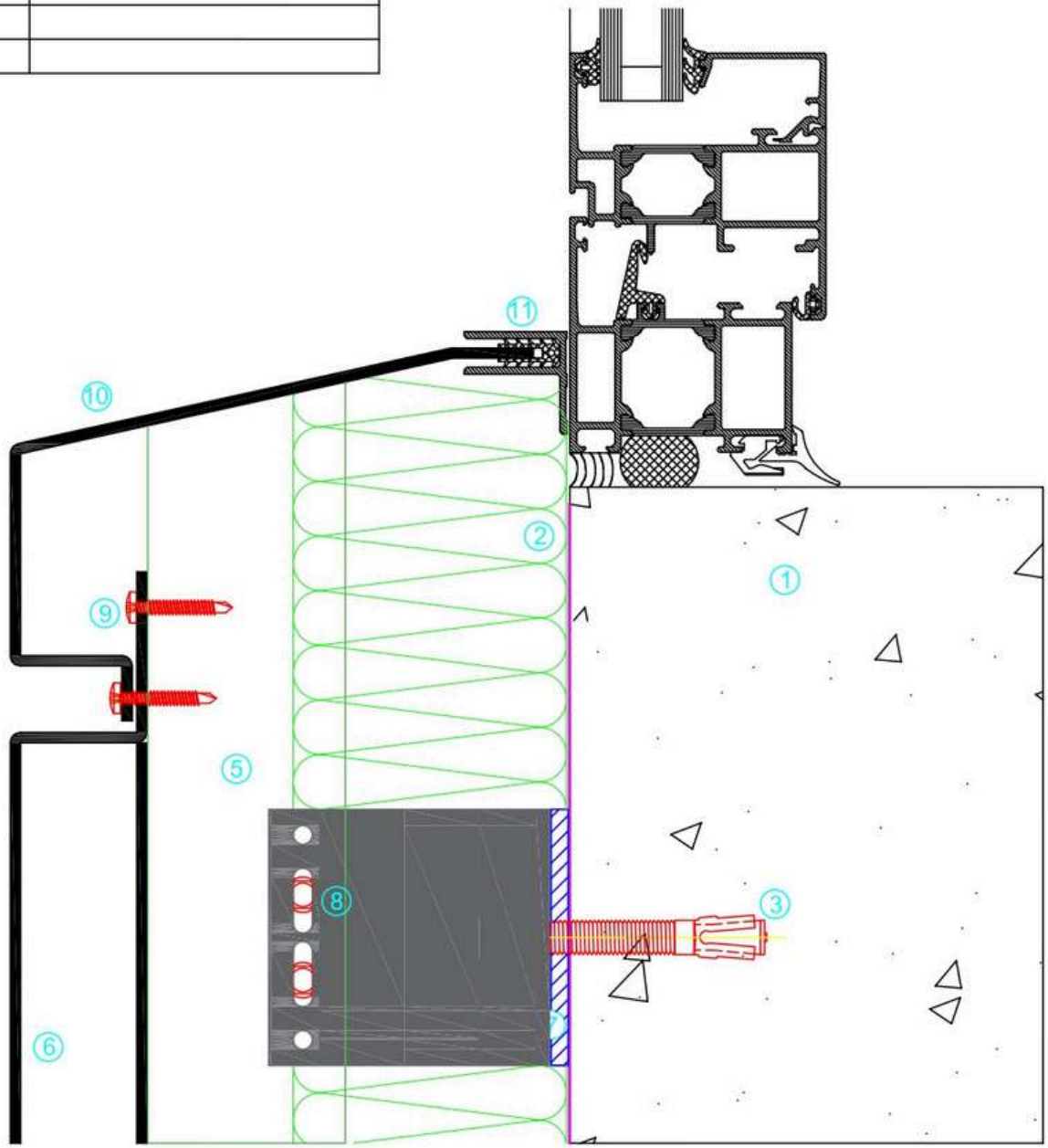


Item	Description
1	Metsec System (by others)
2	Insulation (by others)
3	Wall Fixing (by others)
4	Wall Bracket
5	Continuous Angle
6	Rainscreen Cassette Panel
7	Thermal Isolator
8	Angle Fixing
9	Bottom Cill



TITLE :		Bottom Cill	
DRAWING No. :	DRAWN BY :	SCALE :	
Standard Details	Andrew Creane	1:2	
PART No. :	DATE :	APPROVED BY :	
SF40-FR-004	21/11/2022	J. Reid	

DATE:	ISSUE:	CHANGE:

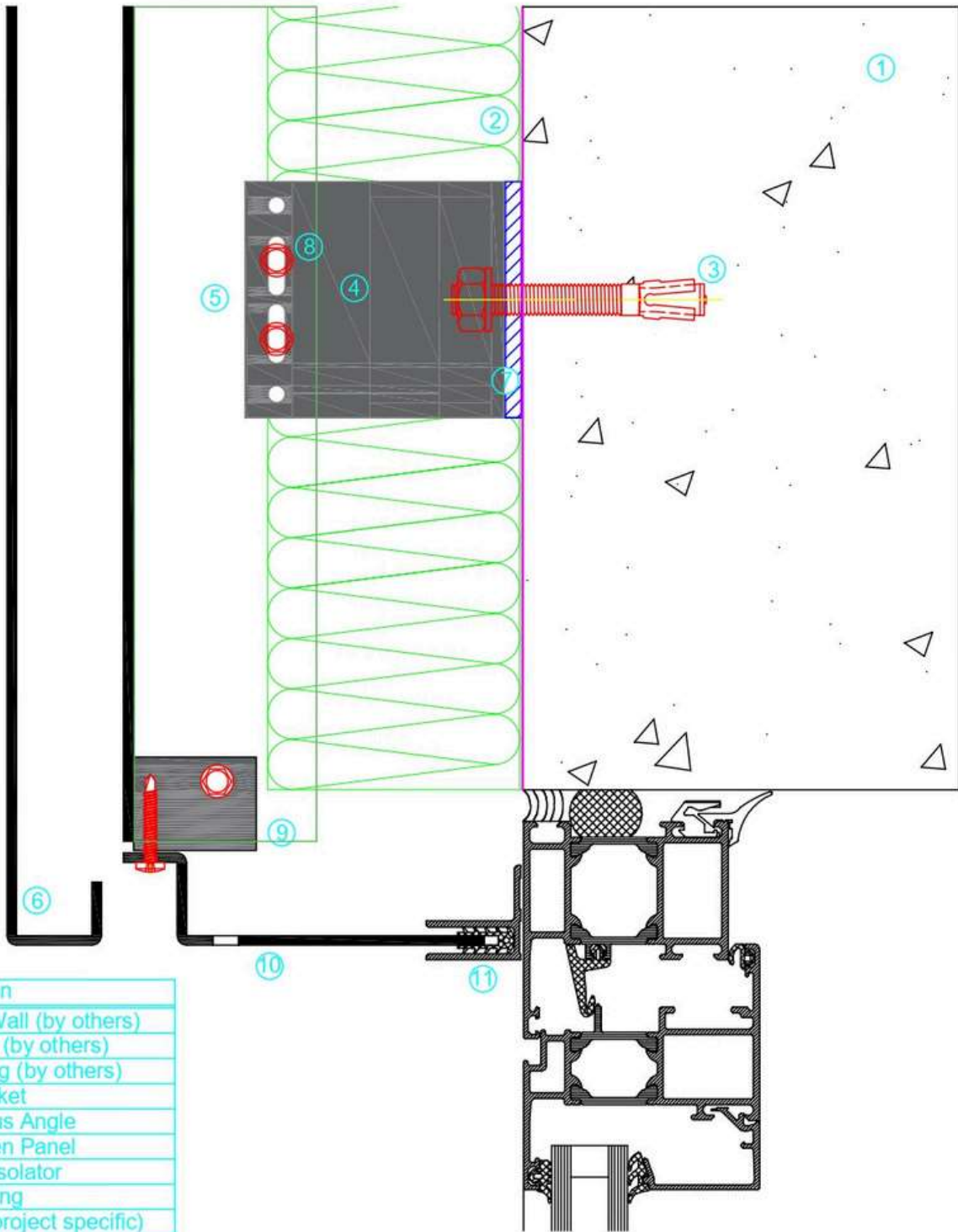


Item	Description
1	Support Wall (by others)
2	Insulation (by others)
3	Wall Fixing (by others)
4	Wall Bracket
5	Continuous Angle
6	Rainscreen Cassette Panel
7	Thermal Isolator
8	Angle Fixing
9	Panel Fixing
10	Cill Flashing
11	F-Section



TITLE :		Window Cill	
DRAWING No. :	DRAWN BY :	SCALE :	
Standard Details	Andrew Creane	1:2	
PART No. :	DATE :	APPROVED BY :	
SF40-FR-005	21/11/22	J. Reid	

DATE:	ISSUE:	CHANGE:

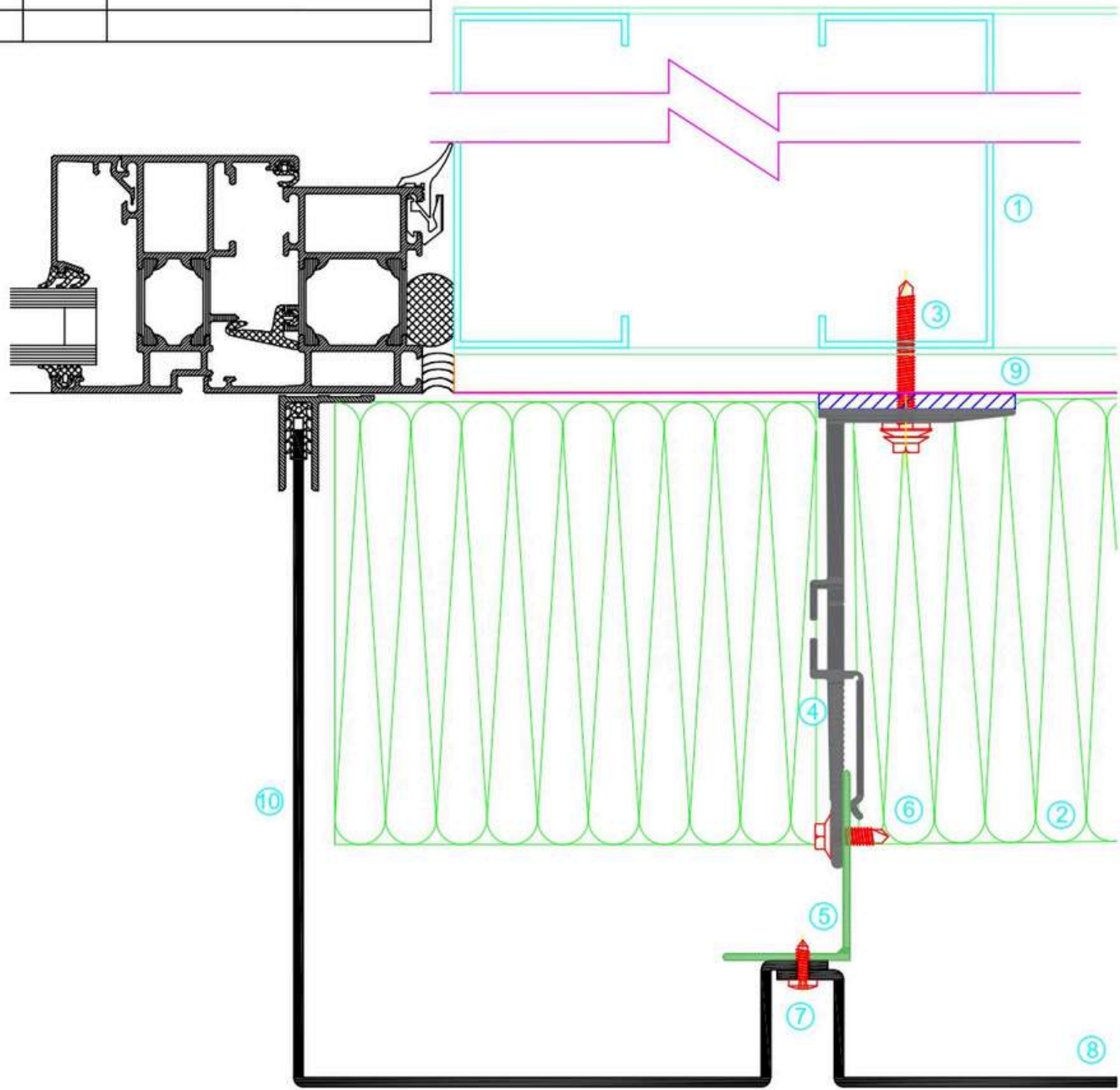


Item	Description
1	Support Wall (by others)
2	Insulation (by others)
3	Wall Fixing (by others)
4	Wall Bracket
5	Continuous Angle
6	Rainscreen Panel
7	Thermal Isolator
8	Angle Fixing
9	Bracket (project specific)
10	Head Flashing
11	F-Section



TITLE :		Window Head	
DRAWING No. :	DRAWN BY :	SCALE :	
Standard Details	Andrew Creane	1:2	
PART No. :	DATE :	APPROVED BY :	
SF40-FR-006	21/11/2022	J. Reid	

DATE:	ISSUE:	CHANGE:

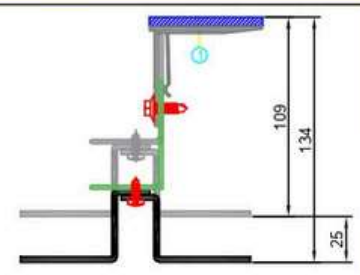
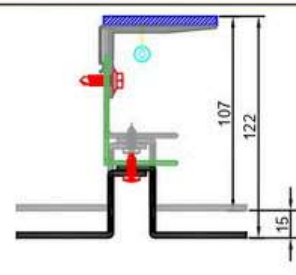
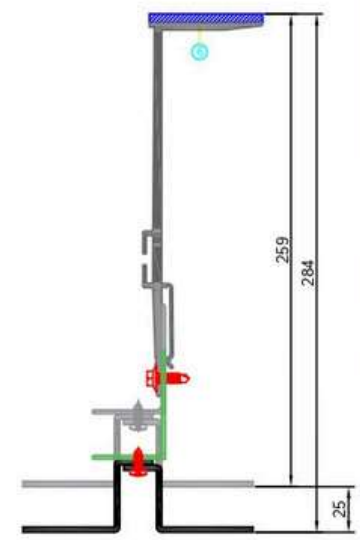
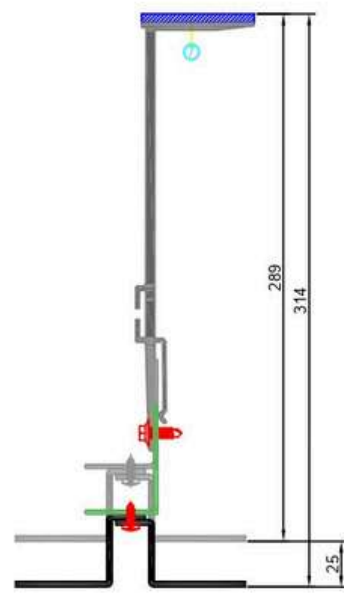
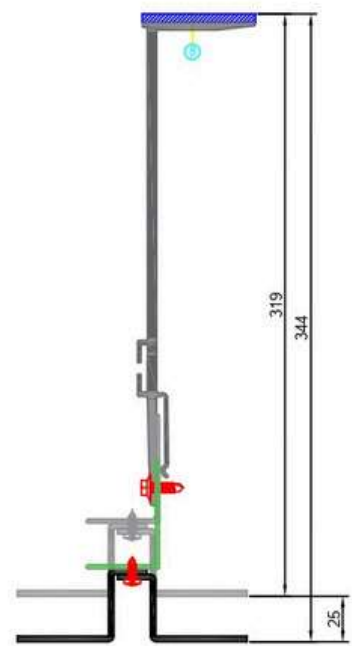
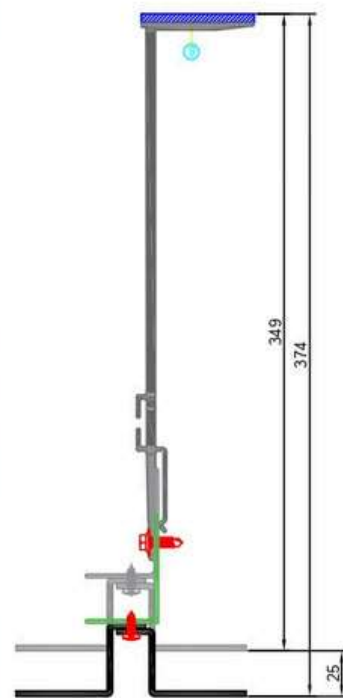
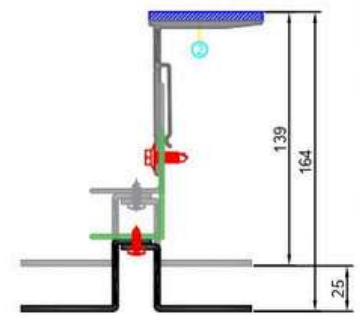
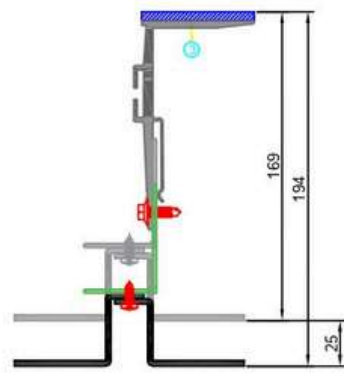
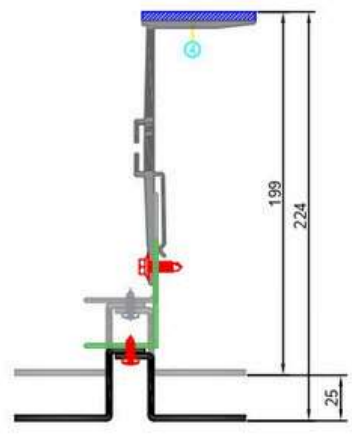
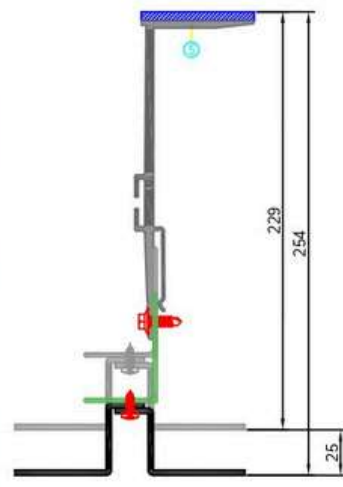


Item	Description
1	Metsec System (by others)
2	Insulation (by others)
3	Wall Fixing (by others)
4	Wall Bracket
5	Continuous Angle
6	Angle Fixing
7	Panel Fixing
8	Rainscreen Panel
9	Thermal Isolator
10	Jamb Flashing



TITLE :		Window Jamb
DRAWING No. :	DRAWN BY :	SCALE :
Standard Details	Andrew Creane	1:2
PART No. :	DATE :	APPROVED BY :
SF40-FR-007	21/11/2022	J. Reid

DATE:	ISSUE:	CHANGE:



Item	Description	Cladding Zone Range
0	Wall Bracket 40	107 - 122mm
1	Wall Bracket 65	139 - 164mm
2	Wall Bracket 90	169 - 194mm
3	Wall Bracket 120	199 - 224mm
4	Wall Bracket 150	229 - 254mm
5	Wall Bracket 180	259 - 284mm
6	Wall Bracket 210	289 - 314mm
7	Wall Bracket 240	319 - 344mm
8	Wall Bracket 270	349 - 374mm
9	Wall Bracket 300	379 - 404mm



**TITLE :** Cladding Zone Variations

DRAWING No. :  
Standard Details  
PART No. :  
SF40-FR-008

DRAWN BY :  
Andrew Creane  
DATE :  
21/11/2022

SCALE :  
NTS  
APPROVED BY :  
J. Reid

# Hamilton

METAL FORMING LTD

## Talk to us today...

### Main Office

47 Shivey Rd,

Cookstown

BT80 9HB

Northern Ireland

T: +44 (0)28 8678 8505

E: [sales@hamiltonmetalforming.com](mailto:sales@hamiltonmetalforming.com)

[www.hamiltonmetalforming.com](http://www.hamiltonmetalforming.com)

